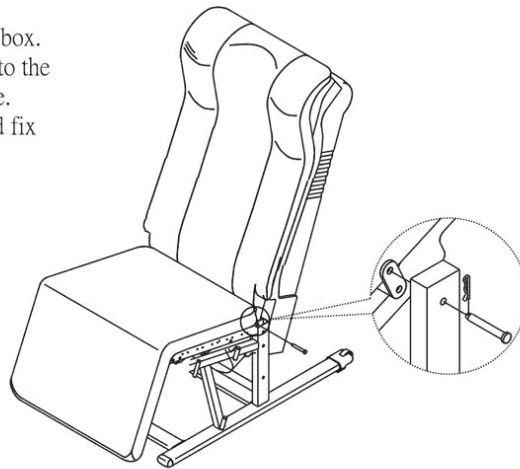


SETUP INSTRUCTIONS

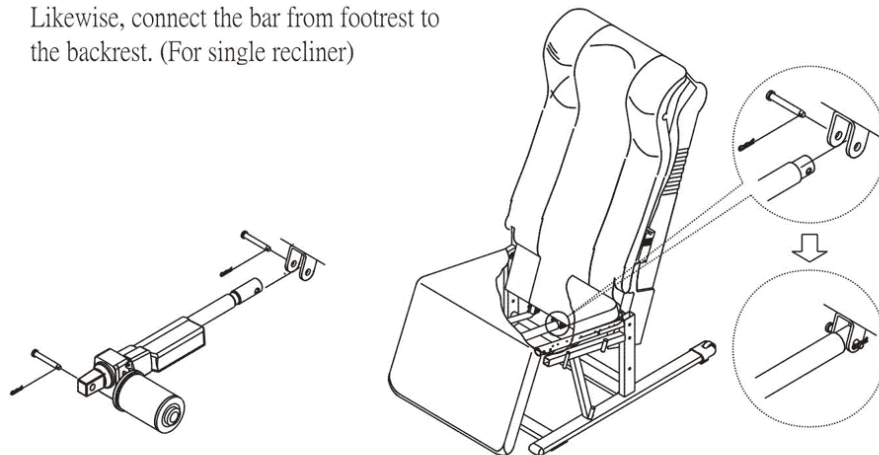
Step 1:

- Take out the chair from the carton box. Lean the backrest backward, refer to the figure, and set it onto the seat frame. Then insert a pin into the holes and fix the pin with a "R" clip.



Step 2

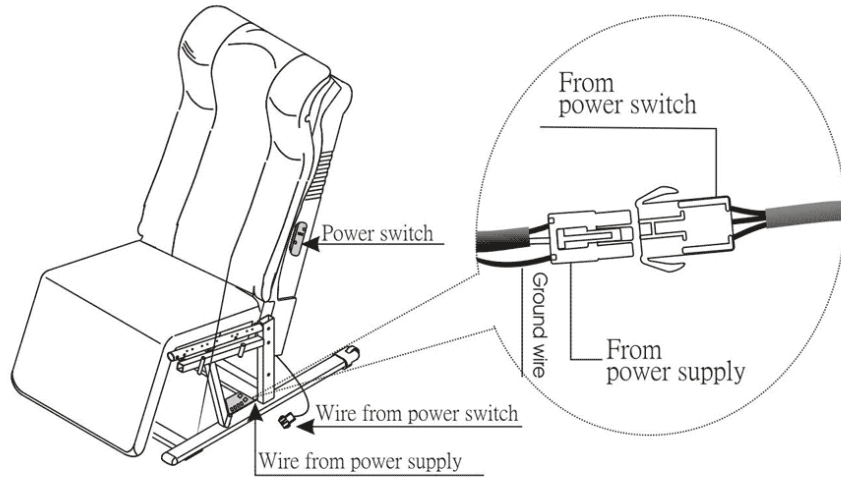
- Connect the reclining motor to the backrest by inserting a pin, and fix it with a "R" clip. Likewise, connect the bar from footrest to the backrest. (For single recliner)



SETUP INSTRUCTIONS

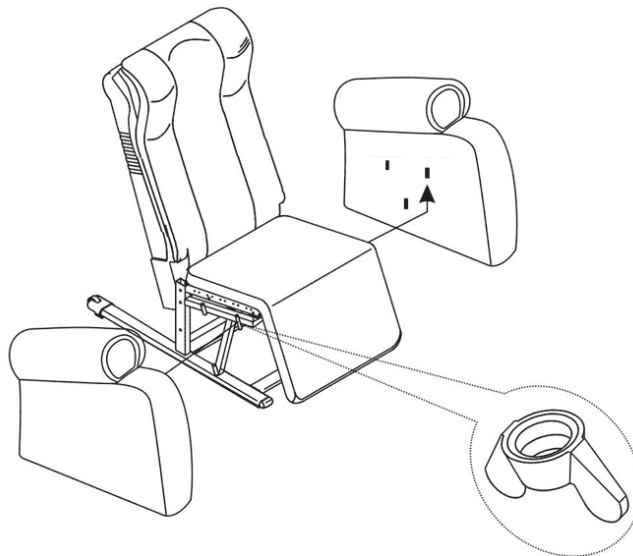
Step 5

- Please connect the wires, one from power switch and the other one from power supply .



Step 6

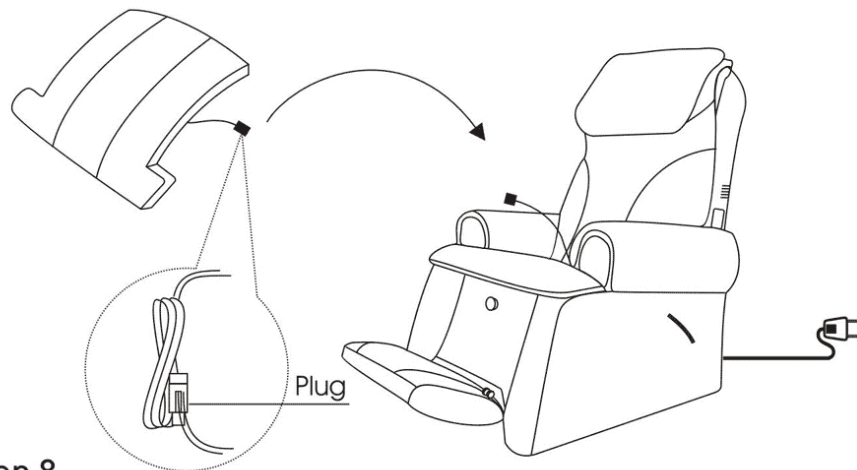
- Insert the right and left armrest and fix them by enclosed butterfly nuts.



SETUP INSTRUCTIONS

Step 7

- After connecting the plug of seat cushion and that of seat base, please place the seat cushion on the seat base and attach the velcro.



Step 8

- After finishing the assembly, plug in the power cord, and turn on the power switch which is on the left side of back cover (face the back cover). Then you can enjoy massage with the chair and relax your body.
- DO NOT place anything in front and back of the chair, that will block the movement of the reclining backrest and footrest. Please leave enough space for the chair in order to protect the chair.

