

How to remove a 2021/2030 or equivalent board assembly:

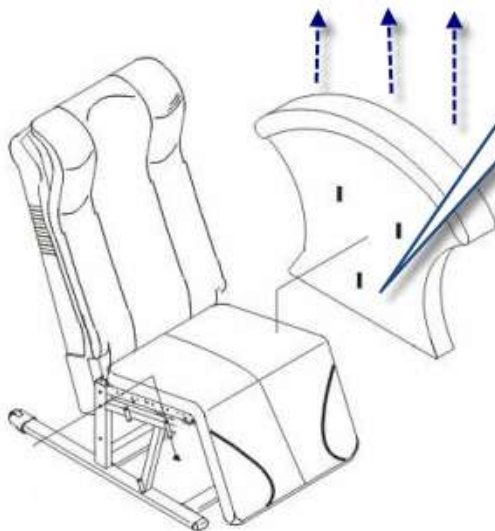
For questions, clarification or assistance call 303-670-8882

Step 1: Raise your footrest:



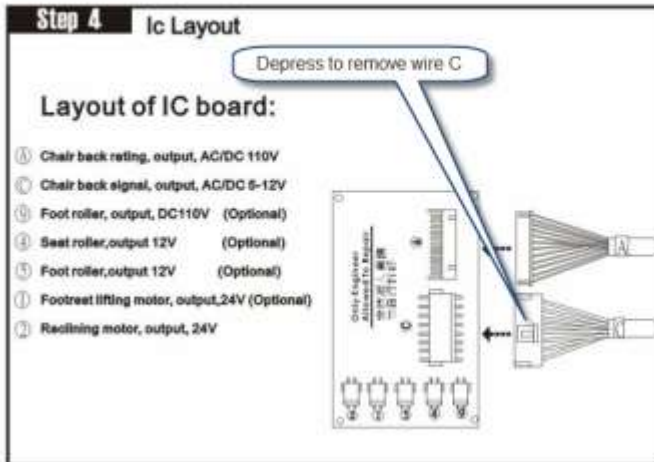
Step 2: remove the left armrest:

Locate and remove the silver wingnut on the lower pin of the left armrest accessed under the footrest raised in step 1: Once the wingnut is removed, lift and remove the armrest by lifting it towards the ceiling.

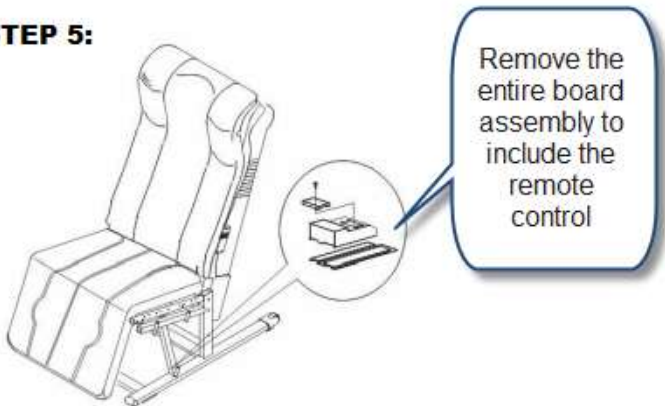




Remove the small lid above the circuits box using a 3 MM allen wrench. The IC board is visible after the lid is taken off. Please refer to IC layout in Step 4. Unplug and remove Wire A and C.



STEP 5:



Remove the entire board assembly to include the remote control