



Premier Health Products

The leading distributor, designer and importer of shiatsu massage chairs utilizing [shiatsu massage therapy](#)



Call-1-866-629-7626 

[Home](#)[Shipping](#)[Products](#)[Back
Education](#)[Warranty](#)[Contact Us](#)

PHP 2026 - 2027

Vibration motor replacement / removal

For questions, clarifications or assistance call 303-670-8882

Tools required

One # 2 Phillips screwdriver, medium length

Two Alan (hex head) wrenches in 4mm, & 5mm.

BEFORE BEGINNING, turn the power switch on the chair off and unplug the power cord . Allow the chair to sit for 10 minutes before proceeding.

STEP 1

Lay the back of the chair down over the seat of the chair.
or you can get a close up of the [back latch by clicking here.](#)



Reach under the back of the chair with your right hand.....about 6" in from the left side and about 4" in from the back cover.



Locate the latch mechanism with a finger and pull latch out to release.



CAUTION, when the latch is release it will be free weight and will pivot.
Hold the top of the chair and lay forward gently.



Hold onto the seat back until it is firmly laying on the seat.
DO NOT ALLOW chair back to 'drop' unsupported onto the seat.

Step 2



Once the back of the chair is folded down and you are ready to begin, locate the six screws holding the back cover on.



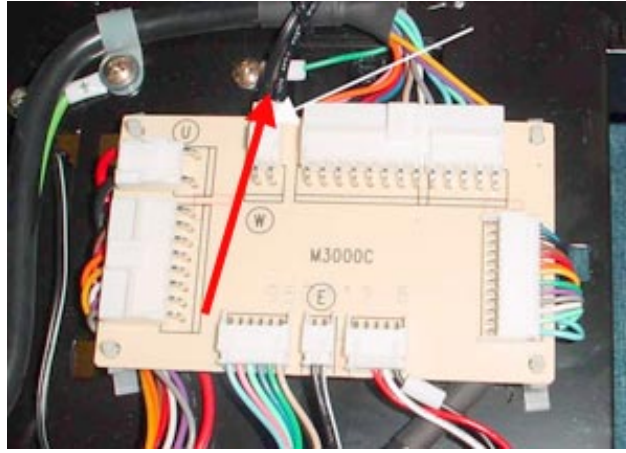
Using your # 2 Phillips screw driver remove the six screws.
Lift the back cover up and off and set aside.

*For Model PHP 2027 only, disconnect the air hose
(indicated by arrow here) before removing the back cover.*

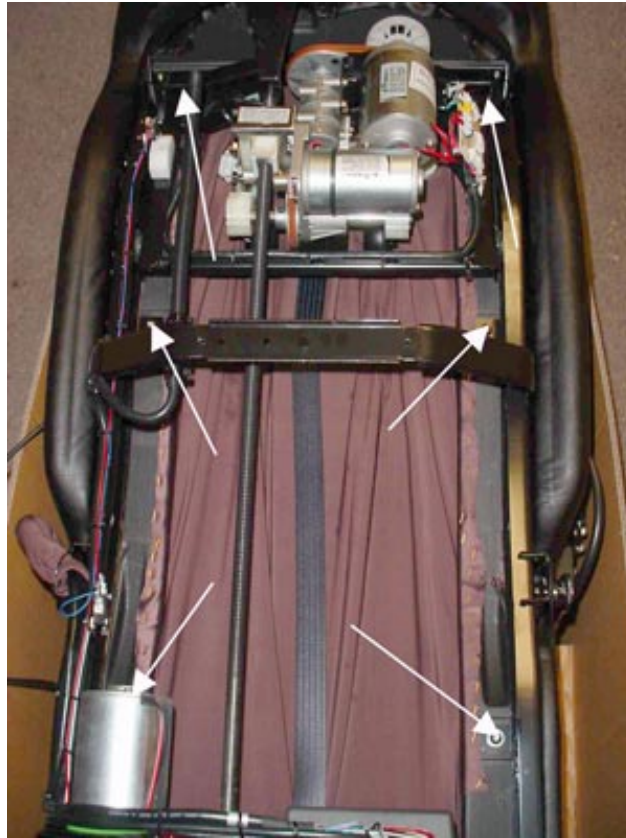
Remove the cover to the expansion board.



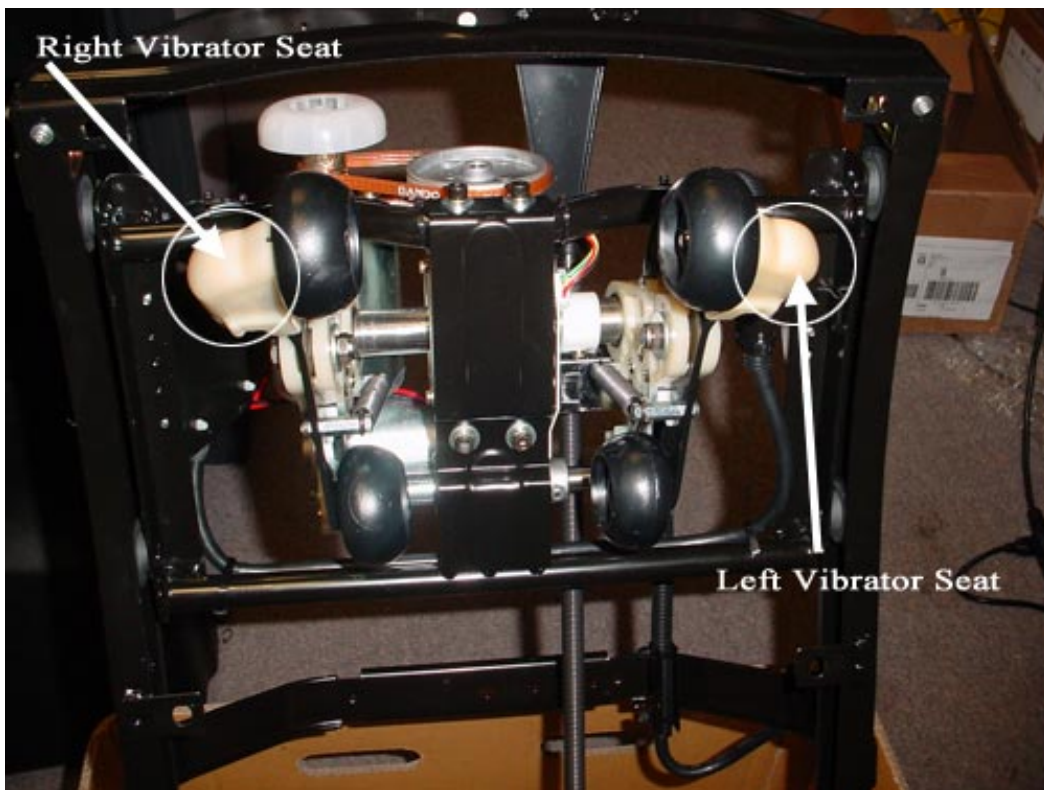
Disconnect the back warmer wire shown here.



Remove the backrest upholstery by removing the six 5mm screws shown below.



Locate the vibration seat motor assemblies shown below.



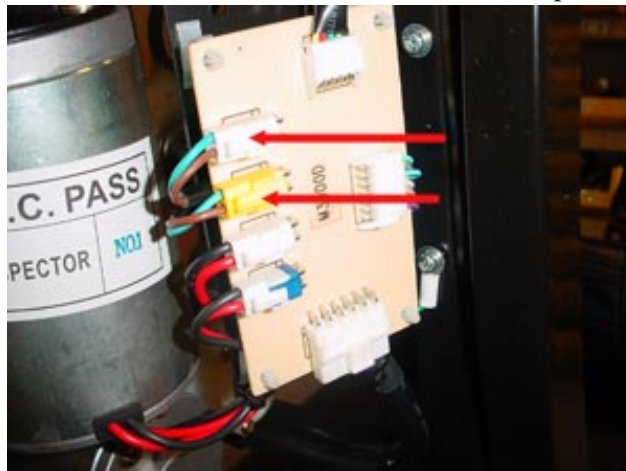
Remove the massage roller from vibrating motor seat by unscrewing the 4mm allen bolt in the center of the roller shown below.



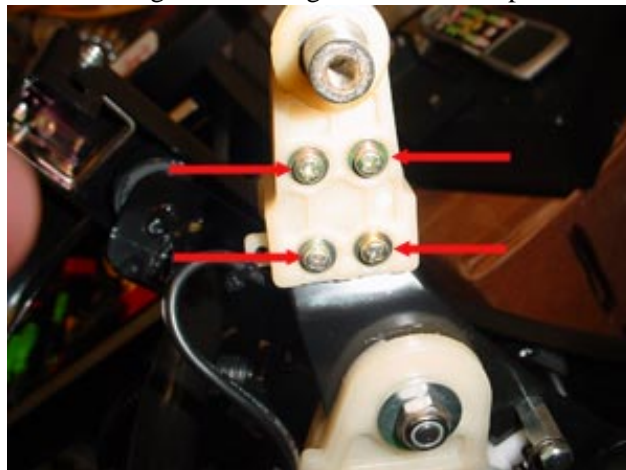
Follow the wires to the expansion board cutting the zip ties (below in red) as you go.



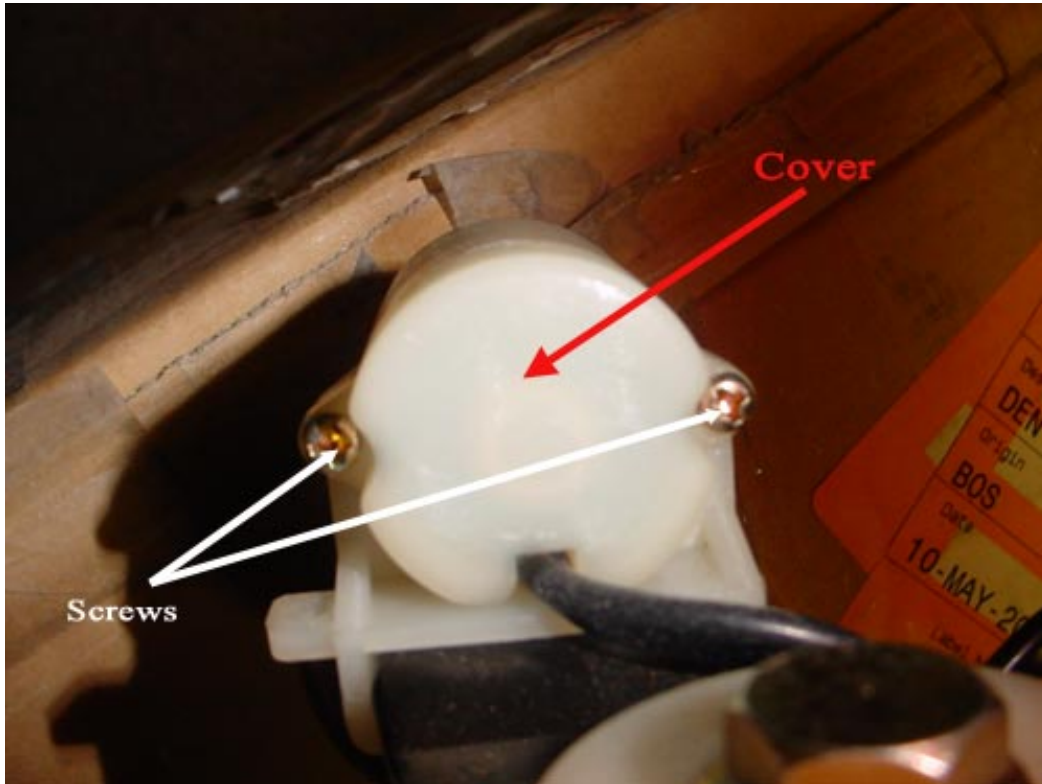
Disconnect these two vibration connectors from the expansion board.



Remove the 4 screws retaining the vibrating motor seat and pull off of the massage arm.



Remove the vibration motor cover, set aside and save, this will be put back on when the new motor is installed.



Remove vibration motor from housing.



After receiving the new vibration motors reverse the above procedure to install

Installation of the new vibration seat is complete

Before installing the back cover, perform the following procedure to ensure that the chair is working properly.

Return the chair back to its upright position and latched.

Plug the chair in.

Turn the power switch on.

Push the red power button once to turn the remote on.

Turn on the back vibration and make sure it is functioning properly.

You may now install the chair back cover.

(if repairing a PHP 2027, also re-connect the air hose)

If after reassembly, and during the final 5-minute test, you detect anything that seems inconsistent with normal operation of the chair, call Premier Health Products Customer Support at 303-670-8882 for immediate assistance.