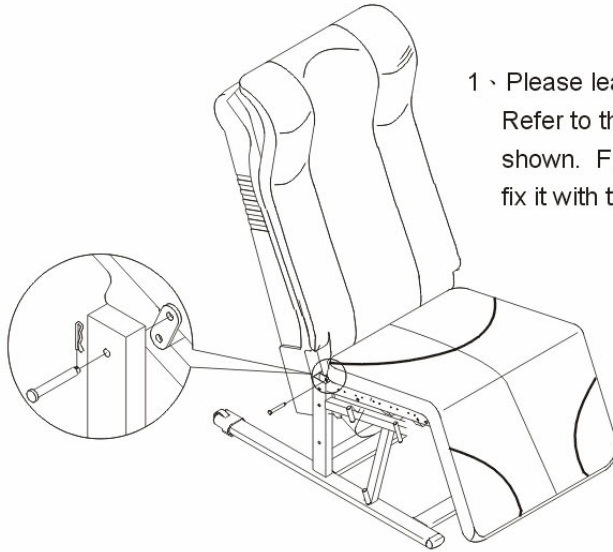


HOW TO Setup

Step 1

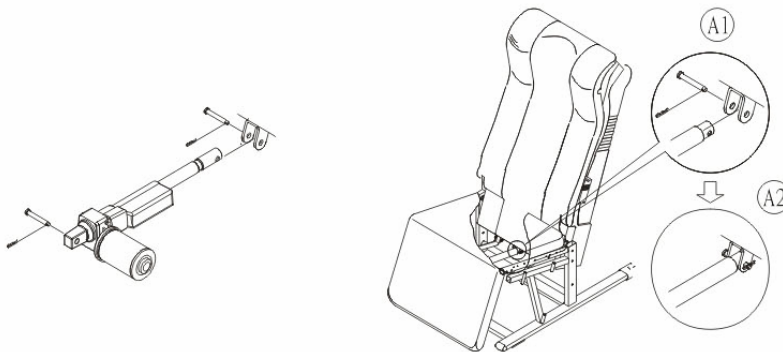
Connect the Chair Back To Seat



- 1 · Please lean the backrest backward. Refer to the figure and aim at place shown. First insert the pin, and then fix it with the "R" cotter.

Step 2

Connect the Reclining Device

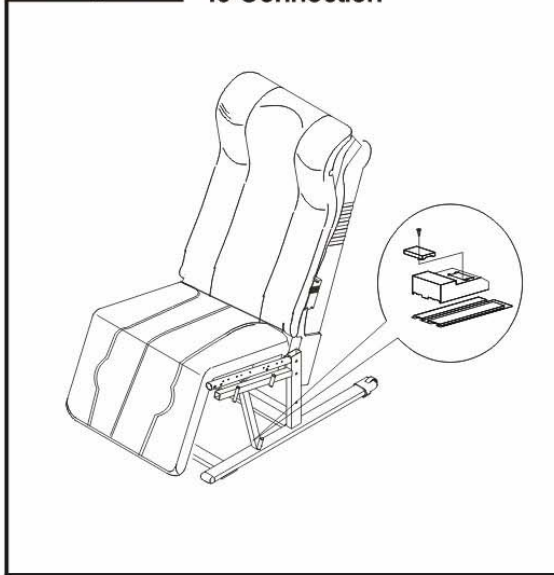


To avoid miss-alignment, please do not turn or swing the reclining motor.

A1~A2. To connect the reclining motor, please aim the end of the motor at the positioning holes, and fix it by inserting the pin first then R clip.

How TO USE

Step 3 IC Connection



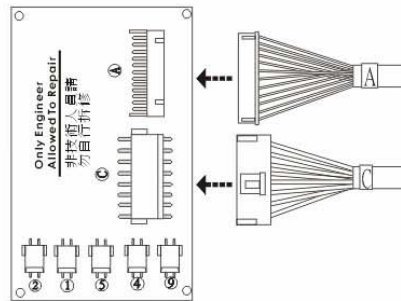
3. Open the small lid above the circuits box by a wrench which is consloed in the bag of operation manual. The IC board is visible after the lid is taken off.

Plug in Terminal A to dock A, and terminal C to dock C. Please refer to IC layout in Step 4.

Step 4 IC Layout

Layout of IC board:

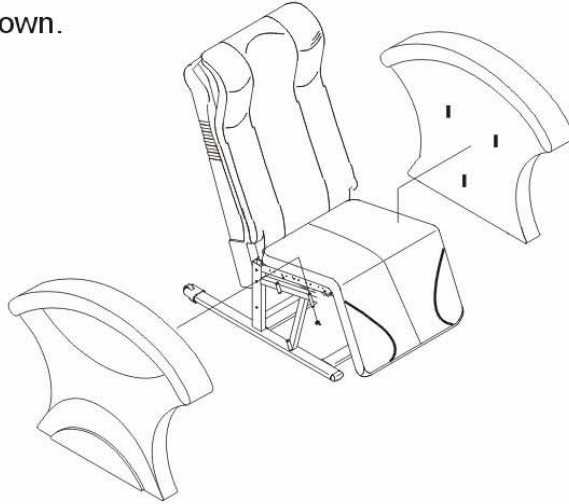
- Ⓐ Chair back rating, output, AC/DC 110V
- Ⓒ Chair back signal, output, AC/DC 5-12V
- ⑨ Foot roller, output, DC110V (Optional)
- ④ Seat roller, output 12V (Optional)
- ⑤ Foot roller, output 12V (Optional)
- ① Footrest lifting motor, output, 24V (Optional)
- ② Reclining motor, output, 24V



How TO USE

Step 5 Mount The Armrest

Mount the left and right armrest onto the seat of chair as shown.



Electric Reclining Mechanism for the seat and the legrest

*The legrest moves upward and downward together with the movement of the backrest. Legrest can be lifted separately from backrest by footrest leveler. Be sure to lay down the footrest before you leave the chair.

